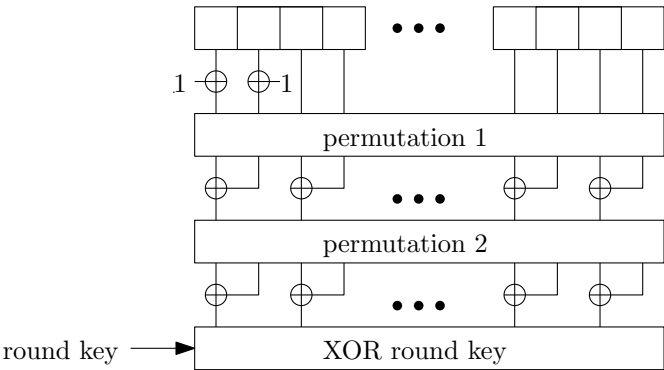
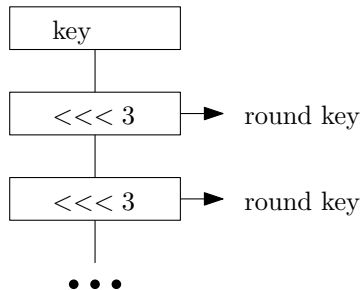


1 round



key scheduling



encryption: 12 rounds, 64-bit key, 64-bit block

key whitening: add (XOR) key before the first round